

Read this instruction carefully. See hardware and furniture part list for guidance. Be sure all parts are complete, before you assemble. Place all wooden furniture parts on a clean and flat soft surface to prevent from being scratched. Follow the figure to start assembling.

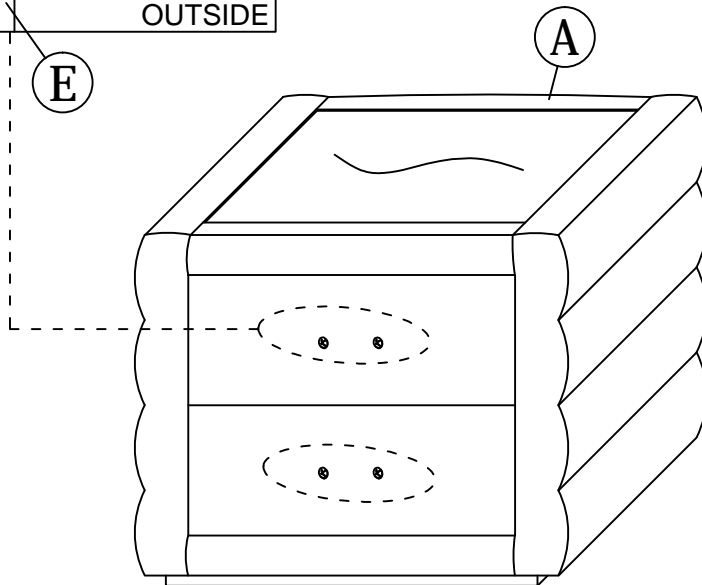
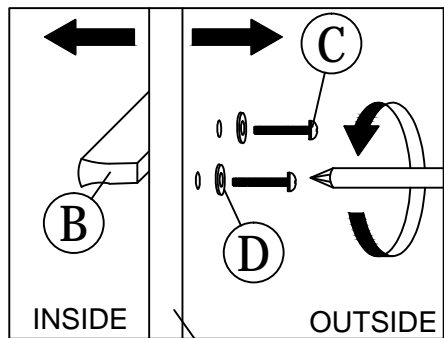
CAUTIONS : 1. Do not FULLY - TIGHTEN the nut or nut bolt until all nut or bolt is ready assembled.
 2. Do not OVER - TIGHTEN the nut or bolt to avoid causing damages to the thread.
 3. Keep all hardware parts out of reach of children.

NOTE : THE LIST AND QUANTITY SHOWN ARE FOR 1 UNIT ASSEMBLY.
 Tool needed : Screwdriver (not provider).

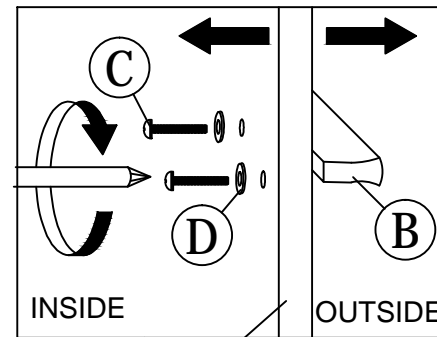
PART LIST		
ITEM	DESCRIPTION	QTY
A	BODY	1 PC
B	HANDLE	2 PCS
C	HANDLE SCREW	4 PCS
D	FLAT WASHER	4 PCS
E	DRAWER	2 PCS

HARDWARE LIST		
ITEM	DESCRIPTION	QTY
-	-	-

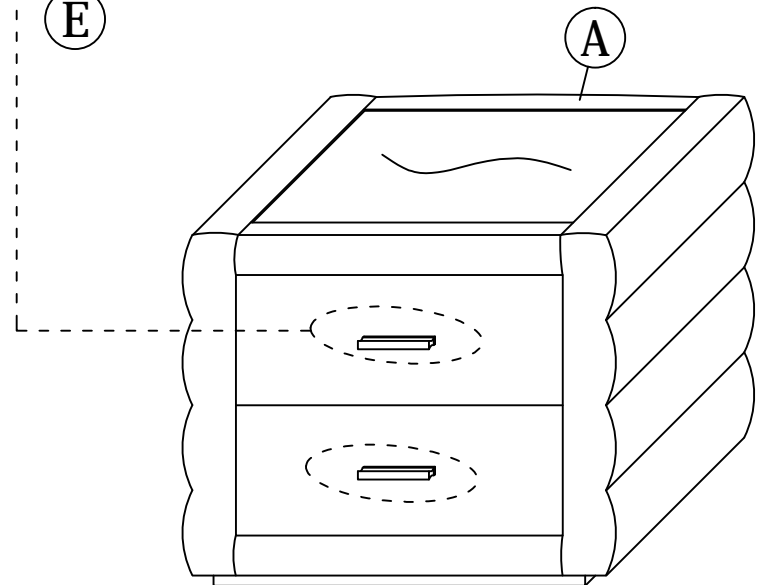
STEP 1



STEP 2



Note :
 Hold the handle flat and then tighten the screws



STEP 3

